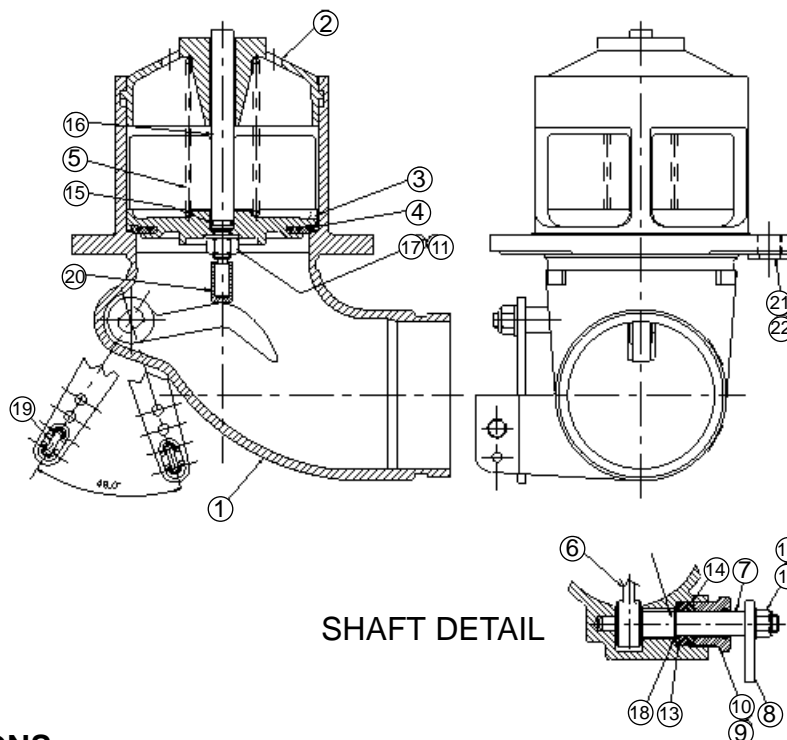


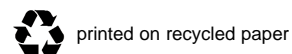
# F7000 & F7001

## 4" High Flow Emergency Valve, Mechanical



### SPECIFICATIONS

Ref	Description	Flanged		Grooved		Qty
		F7000041	F7001041	F7000041	F7001041	
1	Body	670535	670530			1
2	Cap	619511	619511			1
3	Poppet	619513	619513			1
4	Seal Disc	615992	615992			1
5	Spring	577264	577264			1
6	Cam	619516	619516			1
7	Cam Spindle	670557	670557			1
8	Lever	619533	619533			1
9	Gland Nut	670560	670560			1
10	O-Ring Buna	670569	670569			1
11	M12 Nyloc Nut	618841	618841			2
12	Plain Washer	599007	599007			1
13	Packing Support Washer	670561	670561			1
14	Gland Packing	407804	407804			2
15	O-Ring	603653	603653			1
16	Poppet Stem	619514	619514			1
17	Shakeproof Washer	619532	619532			1
18	Retaining Ring	670570	670570			1
19	U - Bolt	452710	452710			1
20	Poppet Stem Boot	619515	619515			1
21	Sealing Ring Nylon	670545	670545			1
22	Blanking Plug	670544	670544			1



As part of a continuous commitment to product development the Company reserve the right to alter the specification of its products without prior notice.